

WOODN MODULATUS








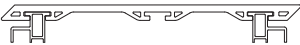



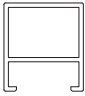
DISCLAIMER - GENERAL NOTES

Due to conversion from metric sizes and measurements, the US values provided are approximate.

The information provided by WoodN Industries in this document are solely indicative, they are based on the present state of knowledge and must be considered only as a description of our products and their possible application. Such information must not be interpreted as a guarantee of specific features, performances or warranties of the product. Material's colors and finishes represented in this document are the result of printing techniques so they may slightly differ from the original colors. Original samples are available upon request and constitute only a general indication of the dimensions and the aesthetic appearance of Woodn™ profiles. WoodN Industries may change the information included in this document at any time and without further notice. WoodN Industries does not warrant the accuracy and completeness of the information in this document and furthermore their suitability for the purpose which it is consulted for by the other parties. WoodN's customers or third parties must ascertain they have the most recent version of this document, available at www.woodn.com. It is advised that customers and third parties have a professional adviser to inform them about the suitability of the products for all desired applications and about applicable laws and regulations. WoodN Industries reserves the right to modify products and concerning features without prior notice. WoodN Industries is not liable for any damage arising from, or related to, the use of this document. Woodn™ material does not have structural characteristics and therefore WoodN Industries declines all responsibilities for improper use of the material. No sections of this publication can be reproduced, stored in database, or transmitted in any form or by any other mean without the explicit approval of WoodN Industries. For more information please contact WoodN Industries.

PROFILES SECTION

outdoor cladding






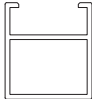

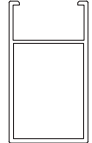


profile	cross-section	nominal dimensions [ft, in]	weight of the plank [lb/ft]
Q9510 		section 95 x 10 mm (≈ 3"3/4 x 7/16") standard length 1830 mm (≈ 6')	0.40
Q13010HD 		section 130 x 10 mm (≈ 5"1/8 x 7/16") standard length 1830 mm (≈ 6')	0.79
Q20410 		section 204 x 10 mm (≈ 8"1/16 x 7/16") standard length 1830 mm (≈ 6')	1.56
TH14830HD-4 		section 148 x 30 mm (≈ 5"13/16 x 1"3/16) standard length 1830 mm (≈ 6')	0.69
TH6050HD 		section 54 x 60 mm (≈ 2"3/16 x 2"3/8) standard length 1830 mm (≈ 6')	0.54

Woodn recommends to refer only to the values expressed in mm the US values are to be considered approximate).

The external dimensions listed are nominal values.
 The weights of the planks indicated in the tables are indicative and not binding.
 Length tolerances according UNI EN-ISO 22768: class UNI EN-ISO 22768-vL.

PROFILES SECTION

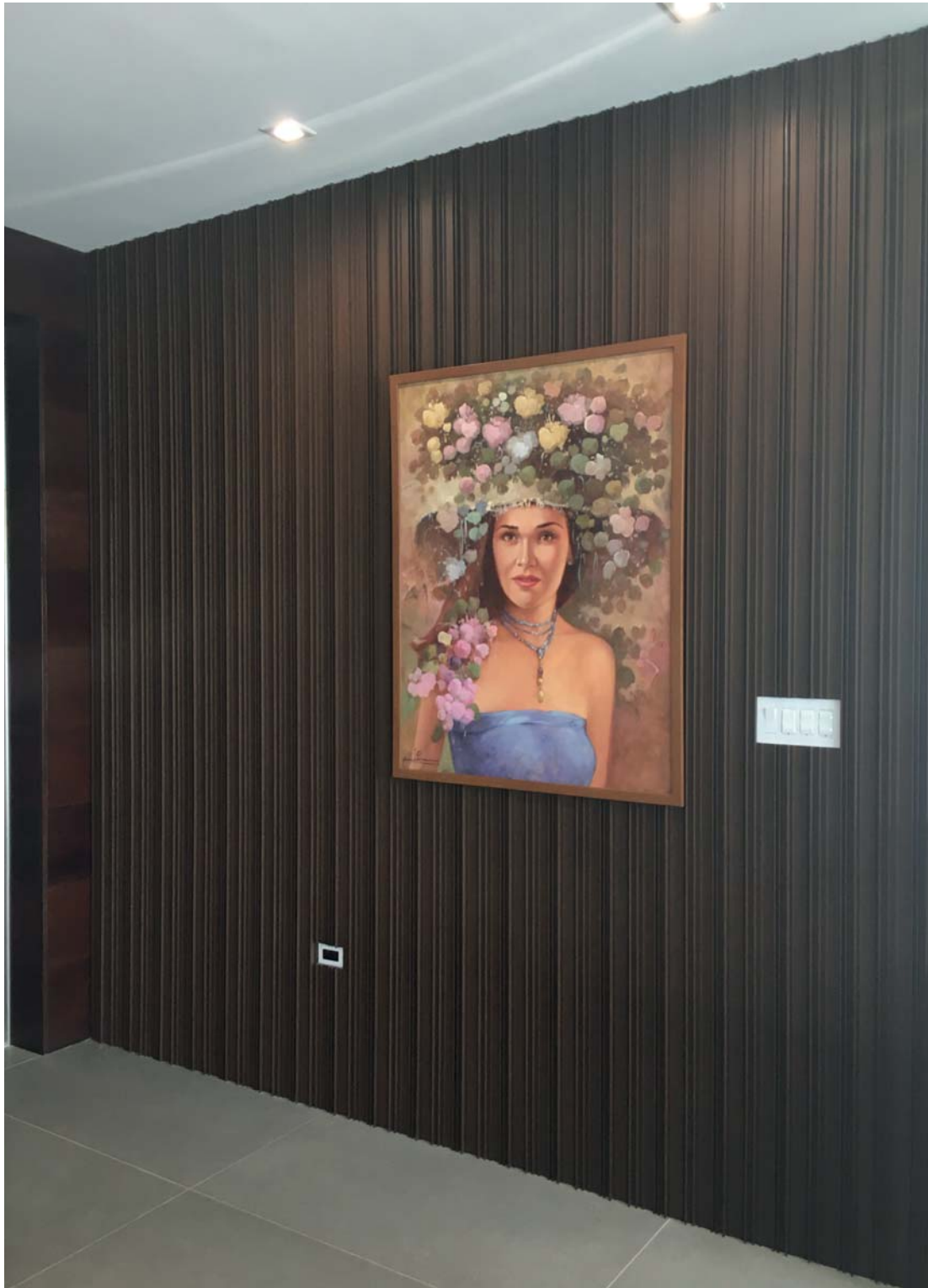
indoor ceiling/outdoor soffit

profile	cross-section	nominal dimensions [ft, in]	weight of the plank [lb/ft]
TH5025HD 		section 25 x 50 mm (≈ 1" x 2") standard length 1830 mm (≈ 6')	0.24
TH3050HD 		section 50 x 30 mm (≈ 2" x 1"3/16) standard length 1830 mm (≈ 6')	0.31
TH6050HD 		section 54 x 60 mm (≈ 2"3/16 x 2"3/8) standard length 1830 mm (≈ 6')	0.54
TH9050HD 		section 50 x 90 mm (≈ 2" x 3"9/16) standard length 1830 mm (≈ 6')	0.56
TH14830HD-4 		section 148 x 30 mm (≈ 5"13/16 x 1"3/16) standard length 1830 mm (≈ 6')	0.69

Woodn recommends to refer only to the values expressed in mm the US values are to be considered approximate).

The external dimensions listed are nominal values.
 The weights of the planks indicated in the tables are indicative and not binding.
 Length tolerances according UNI EN-ISO 22768: class UNI EN-ISO 22768-vL.

WOODN ORNANS




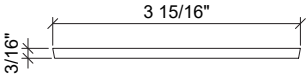

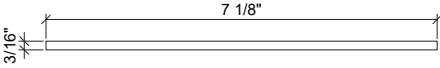

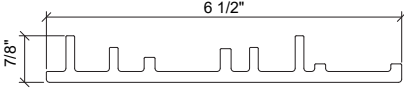
DISCLAIMER - GENERAL NOTES

Due to conversion from metric sizes and measurements, the US values provided are approximate.

The information provided by WoodN Industries in this document are solely indicative, they are based on the present state of knowledge and must be considered only as a description of our products and their possible application. Such information must not be interpreted as a guarantee of specific features, performances or warranties of the product. Material's colors and finishes represented in this document are the result of printing techniques so they may slightly differ from the original colors. Original samples are available upon request and constitute only a general indication of the dimensions and the aesthetic appearance of Woodn™ profiles. WoodN Industries may change the information included in this document at any time and without further notice. WoodN Industries does not warrant the accuracy and completeness of the information in this document and furthermore their suitability for the purpose which it is consulted for by the other parties. WoodN's customers or third parties must ascertain they have the most recent version of this document, available at www.woodn.com. It is advised that customers and third parties have a professional adviser to inform them about the suitability of the products for all desired applications and about applicable laws and regulations. WoodN Industries reserves the right to modify products and concerning features without prior notice. WoodN Industries is not liable for any damage arising from, or related to, the use of this document. Woodn™ material does not have structural characteristics and therefore WoodN Industries declines all responsibilities for improper use of the material. No sections of this publication can be reproduced, stored in database, or transmitted in any form or by any other mean without the explicit approval of WoodN Industries. For more information please contact WoodN Industries.


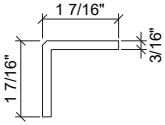
PROFILES SECTION

Woodn recommends to refer only to the values expressed in mm the US values are to be considered approximate).

profile	cross-section	nominal dimensions [ft,in]	weight of the plank [lb]	number of planks per sqft
WIT10004R 		section 100 x 4 mm (≈ 3"15/16 x 3/16") standard length 1830 mm (≈ 6')	≈ 1.92	0.46
WIT18004R 		section 180 x 4 mm (≈ 7"1/8 x 3/16") standard length 1830 mm (≈ 6')	≈ 3.78	0.26
Q16422 		section 164 x 22 mm (≈ 6"1/2 x 7/8") standard length 1830 mm (≈ 6')	≈ 5.88	0.28

The Woodn Ormans cladding is brushed on the backside to allow a proper fixing with the adhesive.

CORNERS COMPONENTS

Profile WITK3535A			section 35 x 35 mm (≈ 1"7/16 x 1 7/16") standard length 1830 mm (≈ 6')	inner and outer corner
-----------------------------	---	--	--	------------------------

The external dimensions listed are nominal values.
 The weights of the planks indicated in the tables are indicative and not binding.
 Length tolerances according UNI EN-ISO 22768: class UNI EN-ISO 22768-vL.