

WOODN VERSATILIS


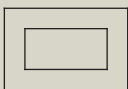
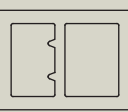

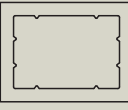

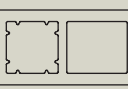
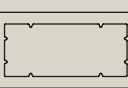

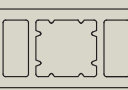

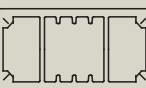



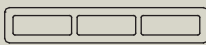

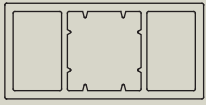
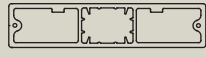
DISCLAIMER - GENERAL NOTES


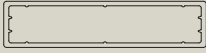

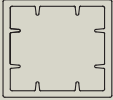
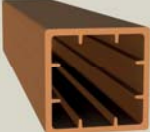
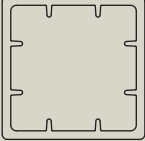


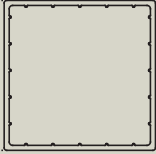


Due to conversion from metric sizes and measurements, the US values provided are approximate.


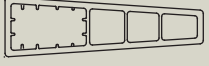




The information provided by WoodN Industries in this document are solely indicative, they are based on the present state of knowledge and must be considered only as a description of our products and their possible application. Such information must not be interpreted as a guarantee of specific features, performances or warranties of the product. Material's colors and finishes represented in this document are the result of printing techniques so they may slightly differ from the original colors. Original samples are available upon request and constitute only a general indication of the dimensions and the aesthetic appearance of Woodn™ profiles. WoodN Industries may change the information included in this document at any time and without further notice. WoodN Industries does not warrant the accuracy and completeness of the information in this document and furthermore their suitability for the purpose which it is consulted for by the other parties. WoodN's customers or third parties must ascertain they have the most recent version of this document, available at www.woodn.com. It is advised that customers and third parties have a professional adviser to inform them about the suitability of the products for all desired applications and about applicable laws and regulations. WoodN Industries reserves the right to modify products and concerning features without prior notice. WoodN Industries is not liable for any damage arising from, or related to, the use of this document. Woodn™ material does not have structural characteristics and therefore WoodN Industries declines all responsibilities for improper use of the material. No sections of this publication can be reproduced, stored in database, or transmitted in any form or by any other mean without the explicit approval of WoodN Industries. For more information please contact WoodN Industries.

PROFILES SECTION

profile	cross-section	nominal dimensions [ft, in]	reinforcement external nominal dimensions [ft, in]	weight of the plank [lb/ft]
LG3020 		section $1\frac{13}{16} \times 13/16$ " standard length 6'	$13/16" \times 7/16"$	0.26
JF4030 		section $1\frac{5}{8} \times 1\frac{3}{16}$ " standard length 6'	$13/16" \times 7/16"$	0.42
JF4030-30x20 		section $1\frac{5}{8} \times 1\frac{3}{16}$ " standard length 6'	$1\frac{3}{16} \times 13/16"$	0.37
JF5026-15x15 		section $2" \times 1\frac{1}{16}$ " standard length 6'	$5/8" \times 5/8"$	0.45
JF5026-40x15 		section $2" \times 1\frac{1}{16}$ " standard length 6'	$1\frac{5}{8} \times 5/8"$	0.41
JF6032 		section $2\frac{3}{8} \times 1\frac{5}{16}$ " standard length 6'	$13/16" \times 13/16"$	0.67
JF7040-25x25 		section $2\frac{13}{16} \times 1\frac{5}{8}$ " standard length 6'	$1" \times 1"$	0.81

profile	cross-section	nominal dimensions [ft, in]	reinforcement external nominal dimensions [ft, in]	weight of the plank [lb/ft]
JF7040-30x15 		section $2\frac{13}{16} \times 1\frac{5}{8}$ standard length 6'	$1\frac{3}{16} \times 5/8$ "	0.71
JF7040-50x25 		section $2\frac{13}{16} \times 1\frac{5}{8}$ standard length 6'	$2" \times 1"$	0.70
TZ9555-R 		section $3\frac{3}{4} \times 2\frac{3}{16}$ standard length 6'	$1\frac{5}{8} \times 1\frac{5}{8}$	1.01
TZ9555 		section $3\frac{3}{4} \times 2\frac{3}{16}$ standard length 6'	$3\frac{3}{16} \times 1\frac{5}{8}$	1.14
JF11020 		section $4\frac{3}{8} \times 13/16$ standard length 6'	-	0.91
JF12058 		section $4\frac{3}{4} \times 2\frac{5}{16}$ standard length 6'	$1\frac{5}{8} \times 1\frac{5}{8}$	1.52
JF18041 		section $7\frac{1}{8} \times 1\frac{5}{8}$ standard length 6'	$1\frac{5}{8} \times 13/16$ $1\frac{3}{16} \times 1\frac{3}{16}$	1.58

profile	cross-section	nominal dimensions [ft, in]	reinforcement external nominal dimensions [ft, in]	weight of the plank [lb/ft]
JF18041-165x30 		section $7\frac{1}{8} \times 1\frac{5}{8}$ standard length 6'	$6\frac{1}{2} \times 1\frac{3}{16}$	1.31
TZ6060 		section $2\frac{3}{8} \times 2\frac{3}{8}$ standard length 6'	$1\frac{5}{8} \times 1\frac{5}{8}$	0.67
JF7070 		section $2\frac{13}{16} \times 2\frac{13}{16}$ standard length 6'	$2'' \times 2''$	0.85
TZ113113 		section $4\frac{1}{2} \times 4\frac{1}{2}$ standard length 6'	$3\frac{15}{16} \times 3\frac{15}{16}$	1.34
TZ180180 		section $7\frac{1}{8} \times 7\frac{1}{8}$ standard length 6'	$6\frac{3}{8} \times 6\frac{3}{8}$	3.15
JF15238 		section $6'' \times 1\frac{1}{2}$ standard length 6'	$1'' \times 1''$	1.02
JF20058 		section $7\frac{7}{8} \times 2\frac{5}{16}$ standard length 6'	$1\frac{5}{8} \times 1\frac{5}{8}$	1.72

profile	cross-section	nominal dimensions [ft, in]	reinforcement external nominal dimensions [ft, in]	weight of the plank [lb/ft]
JF15045-25 		section $5\frac{15}{16} \times 1\frac{13}{16} \times 1\frac{1}{2}$ standard length 6'	$2\text{''} \times 1\text{''}$	1.29
DT20936 		section $8\frac{1}{4} \times 1\frac{7}{16}$ standard length 6'	-	2.20
C50R 		section $\varnothing 2\text{''}$ standard length 6'	$\varnothing 1\frac{1}{2}$	0.36

The external dimensions listed are nominal values. The weights of the planks indicated in the tables are indicative and not binding. Length tolerances according UNI EN-ISO 22768: class UNI EN-ISO 22768-vL. Refer to Woodn Technical Department or on website www.woodn.com for cad blocks and manufacturing tolerances.