

WOODN MODULATUS






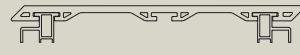






DISCLAIMER - GENERAL NOTES

The information provided by WoodN Industries in this document are solely indicative, they are based on the present state of knowledge and must be considered only as a description of our products and their possible application. Such information must not be interpreted as a guarantee of specific features, performances or warranties of the product. Material's colors and finishes represented in this document are the result of printing techniques so they may slightly differ from the original colors. Original samples are available upon request and constitute only a general indication of the dimensions and the aesthetic appearance of Woodn™ profiles. WoodN Industries may change the information included in this document at any time and without further notice. WoodN Industries does not warrant the accuracy and completeness of the information in this document and furthermore their suitability for the purpose which it is consulted for by the other parties. WoodN's customers or third parties must ascertain they have the most recent version of this document, available at www.woodn.com. It is advised that customers and third parties have a professional adviser to inform them about the suitability of the products for all desired applications and about applicable laws and regulations. WoodN Industries reserves the right to modify products and concerning features without prior notice. WoodN Industries is not liable for any damage arising from, or related to, the use of this document. Woodn™ material does not have structural characteristics and therefore WoodN Industries declines all responsibilities for improper use of the material. No sections of this publication can be reproduced, stored in database, or transmitted in any form or by any other mean without the explicit approval of WoodN Industries. For more information please contact WoodN Industries.













DIMENSIONS

outdoor cladding

| profile | cross-section | nominal dimensions [mm] | weight of the plank [kg/m] |
|--|---|--|----------------------------|
| Q9510  |  | section 95 x 10 standard length 2000 | 0.48 |
| Q13010HD  |  | section 130 x 10 standard length 2000 | 1.00 |
| Q20410  |  | section 204 x 10 standard length 2000 | 1.93 |
| TH14830HD-4  |  | section 148 x 30 standard length 2000 | 0.86 |
| TH6050HD  |  | section 54 x 60 standard length 2000 | 0.68 |

The external dimensions listed are nominal values.
 The weights of the planks indicated in the tables are indicative and not binding.
 Length tolerances according UNI EN-ISO 22768: class UNI EN-ISO 22768-vL.

indoor ceiling/outdoor soffit

| profile | cross-section | nominal dimensions [mm] | weight of the plank [kg/m] |
|---|---|--|-------------------------------|
| TH5025HD  |  | section 25 x 50 standard length 2000 | 0.37 |
| TH3050HD  |  | section 50 x 30 standard length 2000 | 0.38 |
| TH6050HD  |  | section 54 x 60 standard length 2000 | 0.68 |
| TH9050HD  |  | section 50 x 90 standard length 2000 | 0.86 |
| TH14830HD-4  |  | section 148 x 30 standard length 2000 | 0.86 |
| TH22430HD  |  | section 224 x 30 standard length 2000 | 1.18 |

The external dimensions listed are nominal values.
 The weights of the planks indicated in the tables are indicative and not binding.
 Length tolerances according UNI EN-ISO 22768: class UNI EN-ISO 22768-vL.


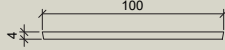

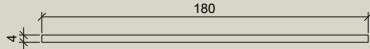

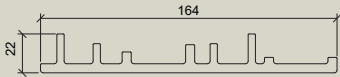
WOODN ORNANS



DISCLAIMER - GENERAL NOTES


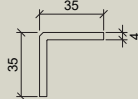
The information provided by WoodN Industries in this document are solely indicative, they are based on the present state of knowledge and must be considered only as a description of our products and their possible application. Such information must not be interpreted as a guarantee of specific features, performances or warranties of the product. Material's colors and finishes represented in this document are the result of printing techniques so they may slightly differ from the original colors. Original samples are available upon request and constitute only a general indication of the dimensions and the aesthetic appearance of Woodn™ profiles. WoodN Industries may change the information included in this document at any time and without further notice. WoodN Industries does not warrant the accuracy and completeness of the information in this document and furthermore their suitability for the purpose which it is consulted for by the other parties. WoodN's customers or third parties must ascertain they have the most recent version of this document, available at www.woodn.com. It is advised that customers and third parties have a professional adviser to inform them about the suitability of the products for all desired applications and about applicable laws and regulations. WoodN Industries reserves the right to modify products and concerning features without prior notice. WoodN Industries is not liable for any damage arising from, or related to, the use of this document. Woodn™ material does not have structural characteristics and therefore WoodN Industries declines all responsibilities for improper use of the material. No sections of this publication can be reproduced, stored in database, or transmitted in any form or by any other mean without the explicit approval of WoodN Industries. For more information please contact WoodN Industries.

DIMENSIONS

| profile | cross-section | nominal dimensions [mm] | weight of the plank [kg] | number of planks per m ² |
|---|--|--|--------------------------|-------------------------------------|
| WIT10004R  |  | section 100 x 4 standard length 2000 | ≈ 0.80 | 5 |
| WIT18004R  |  | section 180 x 4 standard length 2000 | ≈ 1.57 | 2.78 |
| Q16422  |  | section 164 x 22 standard length 2000 | ≈ 2.45 | 3.10 |

The Woodn Ormans cladding is brushed on the backside to allow a proper fixing with the adhesive.

CORNERS COMPONENTS

| | | | | |
|-----------------------------|---|---|---|------------------------|
| Profile WITK3535A |  |  | section 35 x 35 standard length 2000 | inner and outer corner |
|-----------------------------|---|---|---|------------------------|

The external dimensions listed are nominal values. The weights of the planks indicated in the tables are indicative and not binding.
 Length tolerances according UNI EN-ISO 22768: class UNI EN-ISO 22768-vL.
 Refer to Woodn Technical Department or on website www.woodn.com for cad blocks and manufacturing tolerances.